



# THE WIDE SURFACE



**MONTISERVICES**

Cleantech Rental & Turnkey Equipment

Part of Monti Group

# PREPARATION FROM SCRATCH

It all started with Monti Werkzeuge GmbH ("Monti"). A German company that engineers, manufactures and distributes hand-tool and automated machine systems for surface preparation. Since our founding in 1987, we have been developing and marketing innovative, patented technologies to customers world-wide in the automotive, oil & gas, and industrial infrastructure markets. We are a recognized market leader and true trailblazer in our industry. Monti is ISO-9001 accredited and we service our customers from our headquarters in Germany and our (owned) subsidiary MontiPower Americas Inc. MontiServices - Cleantech Rental & Turnkey Equipment - is one of the divisions of the Monti Group. Within the Monti Group there are several different divisions, all targeting a different market in surface preparation, from MontiMarine to MontiM.Test. MontiPower stands for the global impact of the new Monti in all the countries and areas we are present.





**40 M<sup>2</sup> pH**

# **THE CLEANTECH PREPPER**

for field joint preparation  
onshore and offshore





# THE NEW ORDER OF SURFACE PREPARATION

The Cleantech Prepper enables optimal coating performance through a programmable and automated process providing a constant and reliable roughness profile to the substrate. Simply program the desired roughness and the Cleantech Prepper will deliver a regular peak height and peak density to optimize your substrate surface, all without safety hazards, dust or loose media. The Cleantech Prepper solution can also be included in factory applied coating processes.

# MONTI LOYALTY PROGRAM

## KEY FEATURE COMPARISON

### TECHNOLOGY

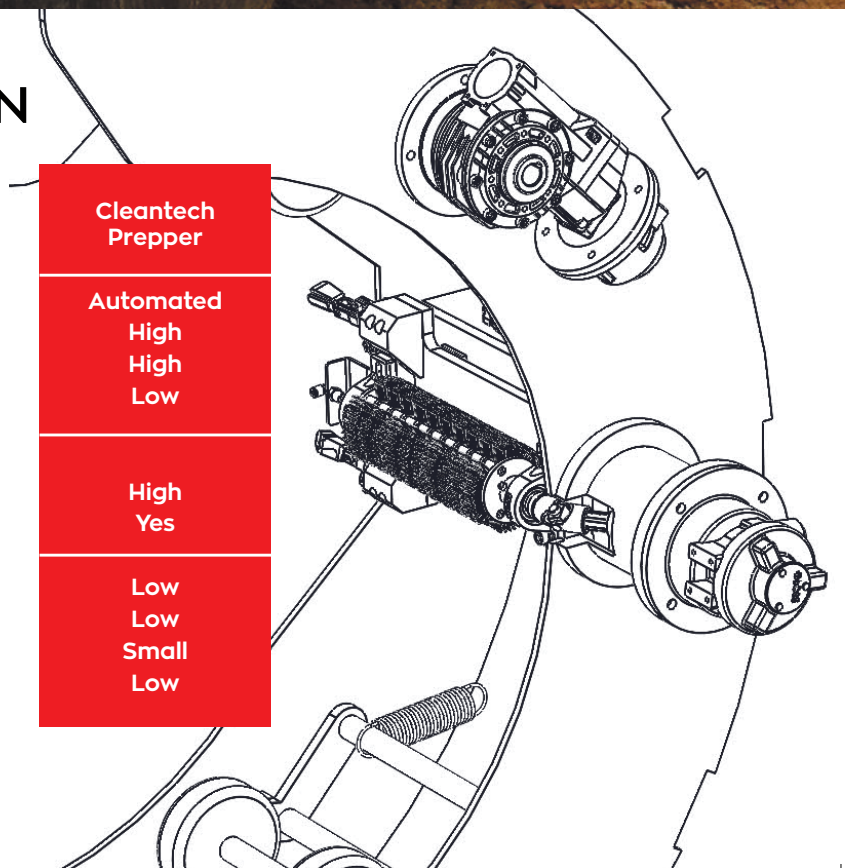
	Sandblasting	Manual Handtool
Mode of operation	Manual	Manual
Cleaning impact	High	Low
Cleaning speed	Fast	Slow
Consumables & Waste	High	High
Reliability/Anchor profile precision	High	Medium
EHS (dust free)	No	No
Cost to operate	Medium	Medium
Power requirements	High	Low
Equipment footprint	Large	Small
PPE/HSA impact	High	High

Cleantech Prepper

Automated  
High  
High  
Low

High  
Yes

Low  
Low  
Small  
Low



# WHY THE CLEANTECH PREPPER?

An aerial photograph of an offshore oil rig and a support vessel. The rig is a large, white, rectangular platform with a tall, red and white lattice tower structure. A green helipad is visible on the rig's deck. A red and white support vessel is positioned near the rig. The ocean is a deep blue, and the sky is clear. The text is overlaid on the image in white, bold, sans-serif font.

**UP TO 4X FASTER THAN  
CONVENTIONAL BLASTING**

**5 MILLION STRIKES**

**1M<sup>2</sup> CLEANED IN 100 SECONDS**

A photograph of an offshore oil rig in the ocean. The rig is a complex structure of metal towers and platforms, with various pipes and equipment. The water is a deep blue, and the sky is clear. The rig is positioned on the left side of the page, with a white silhouette of a person's head and shoulder on the right side, partially overlapping the rig's structure.

# THIS IS WHY

- A Uniform Roughness Profile with (near) constant peak height and density
- Oscillating brushes enable uniform, optimal surface coverage
- Adjustable accelerator bar enables changes to roughness profile
- Process monitoring and autoadjustments through laser and sensors
- A Profile Selector to program key factors and guide automation
- Minimal logistic interventions
- Programmable via smart device
- Up to 4 x faster than conventional blasting enabling greater coverage per hour
- Device is scalable to even bigger units
- Recyclable brushes (Monti oyalty Program)
- Dust collection built-in
- Low energy consumption
- Rental options available

**PER MINUTE**

# 83%

## INADEQUATE SURFACE PREPARATION

Corrosion is often an electro-chemical reaction whereby oxygen and water cause iron to rust or copper to turn green. Corrosion causes enormous economic damage -approximately 4% of GNP. Areas that are affected by corrosion must be treated or replaced, and for transport pipes this can quickly run costs up into the hundreds of thousands of Euros. Corrosion also presents enormous risks because pipes carrying gas or other hazardous materials can break at areas weakened by corrosion.

The solution for corrosion consists of removing one or more of the three primary causes of corrosion - water, oxygen or the electrochemical reaction. Traditional coatings for metals, such as bitumen, polyethylene (PE), polypropylene (PP) and epoxy powder coating (FBE), cannot prevent water and/or oxygen from reaching the metal. Transport pipelines often use cathodic protection to stop the electrochemical reaction, whereby an electric current stops the ionization of the iron. All of this requires constant monitoring of the coating protection and its performance. Optimal surface protection is a critical factor in enhancing the performance of protective coatings. That is why rust and corrosion require the best surface preparation possible!



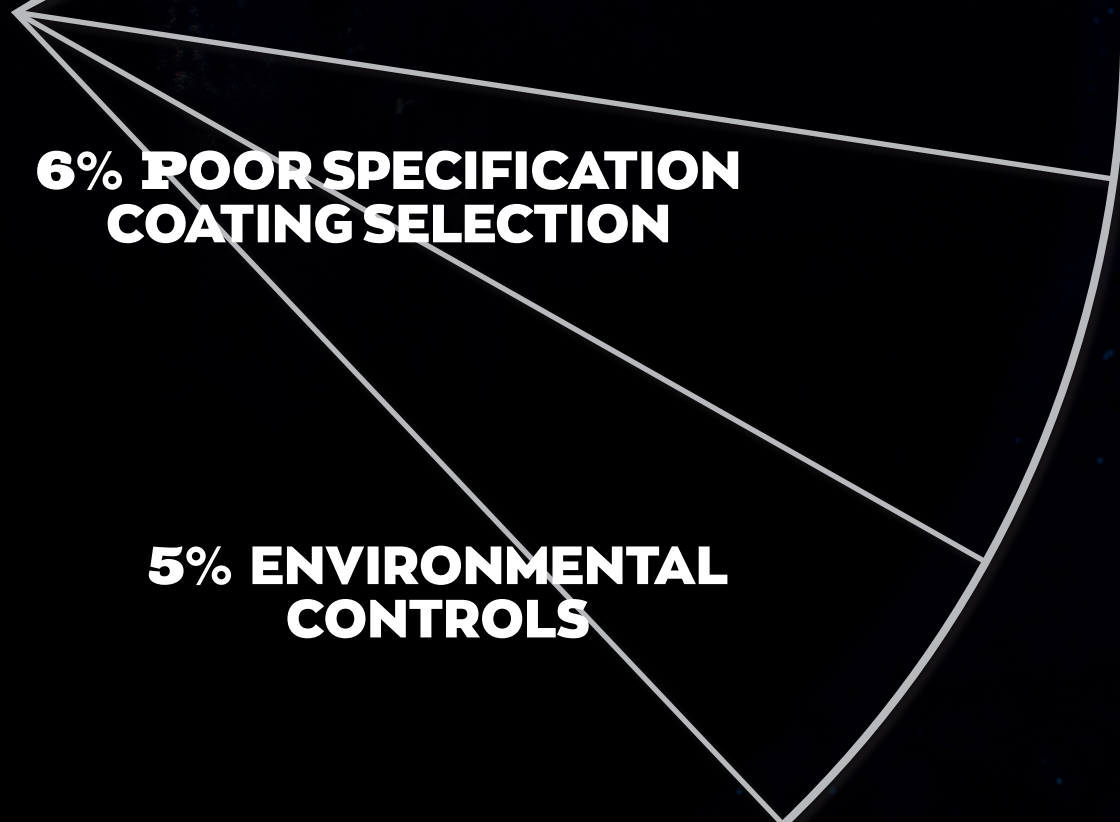
# REASONS FOR COATING FAILURE

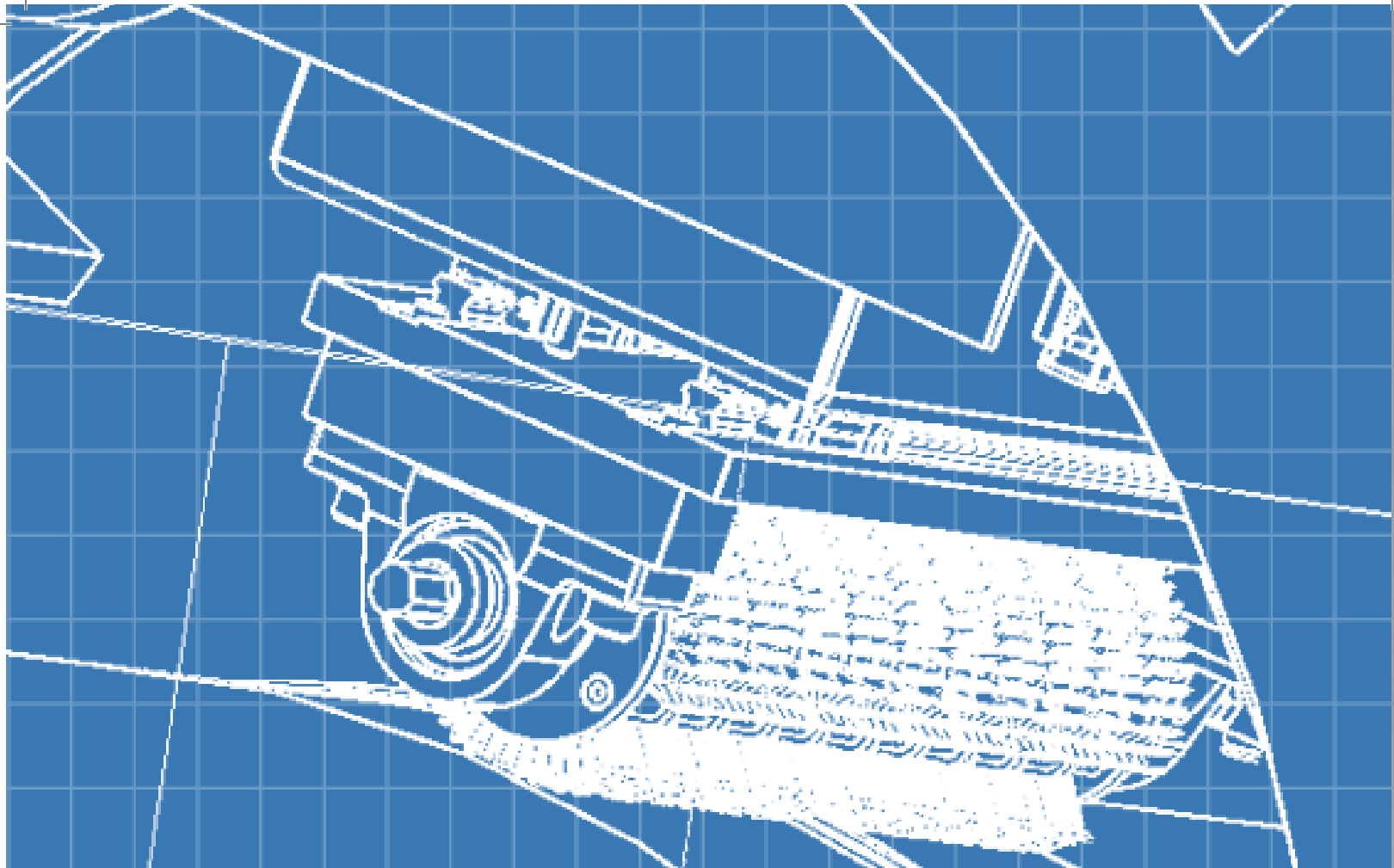
**1% DEFECTIVE COATING MATERIALS**

**11% APPLICATION ERRORS**

**6% POOR SPECIFICATION COATING SELECTION**

**5% ENVIRONMENTAL CONTROLS**





# THE NEW CLEANTECH

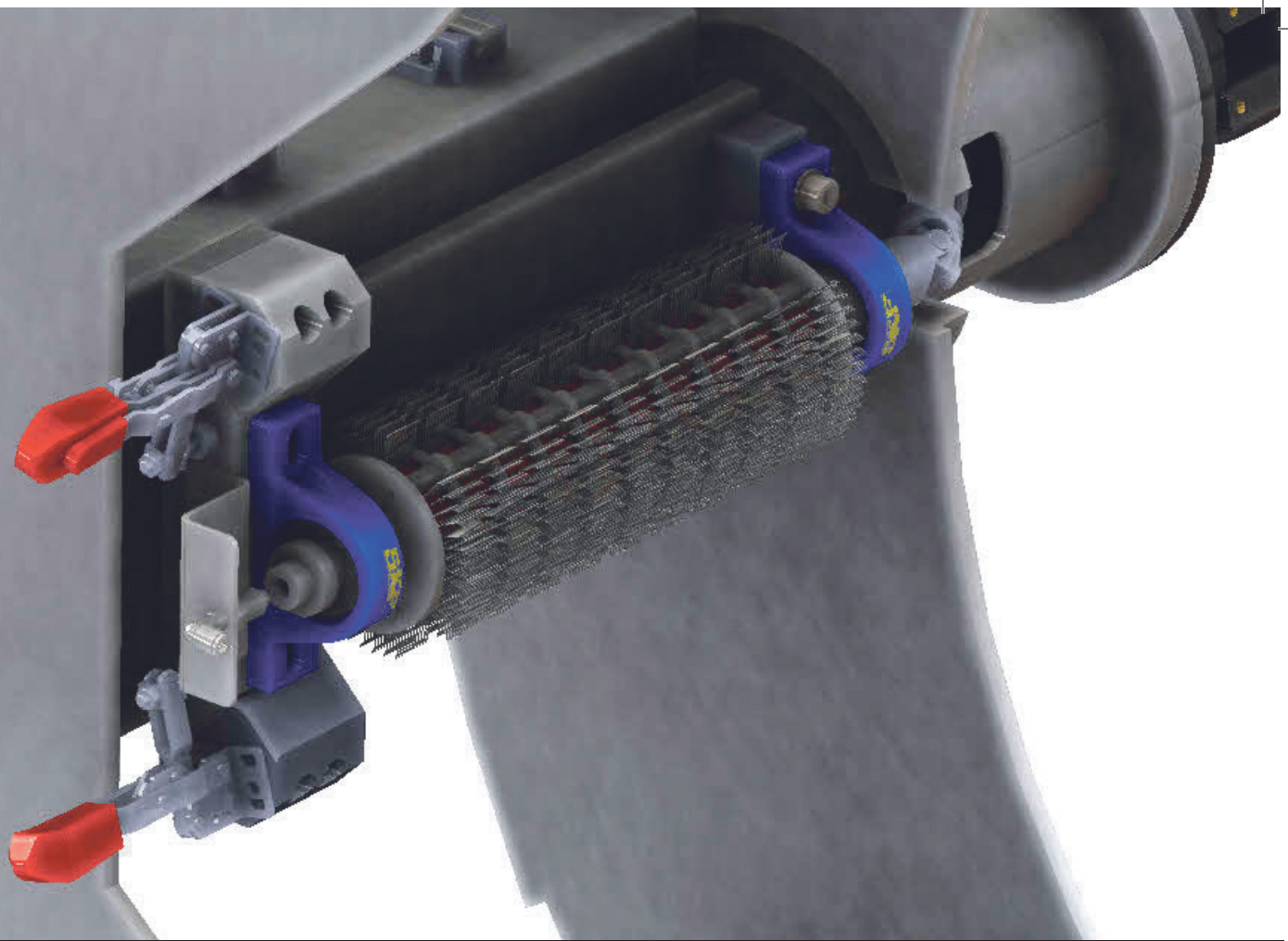
## SPEED

COMPARISON 48' PIPE 300mm CUTBACK FIELD JOINT (=1,15m<sup>2</sup>)

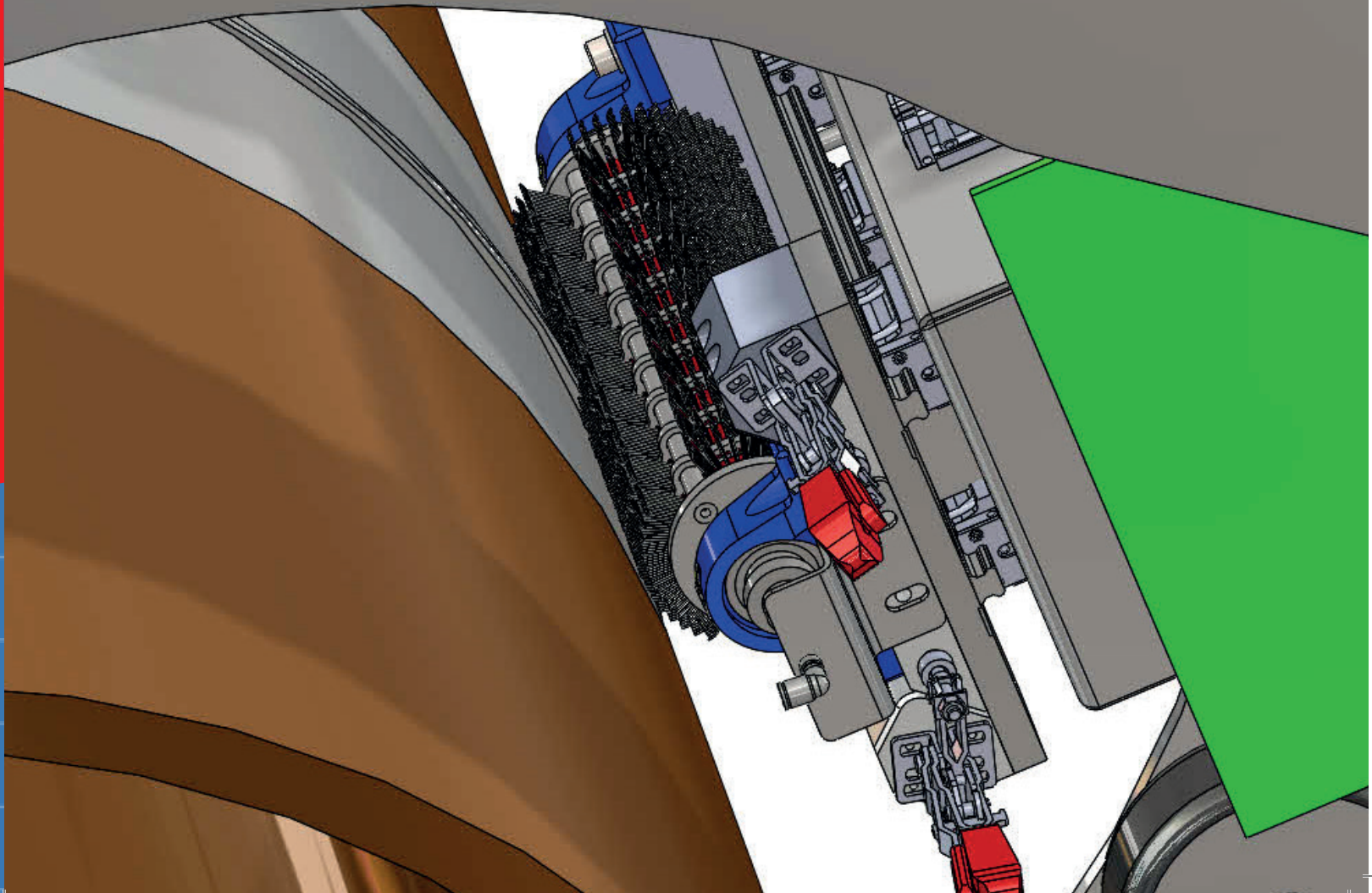
Single brush unit Cleantech Prepper

**127 Seconds**

Conventional Blasting 518 seconds



# PREPPER BY MONTI



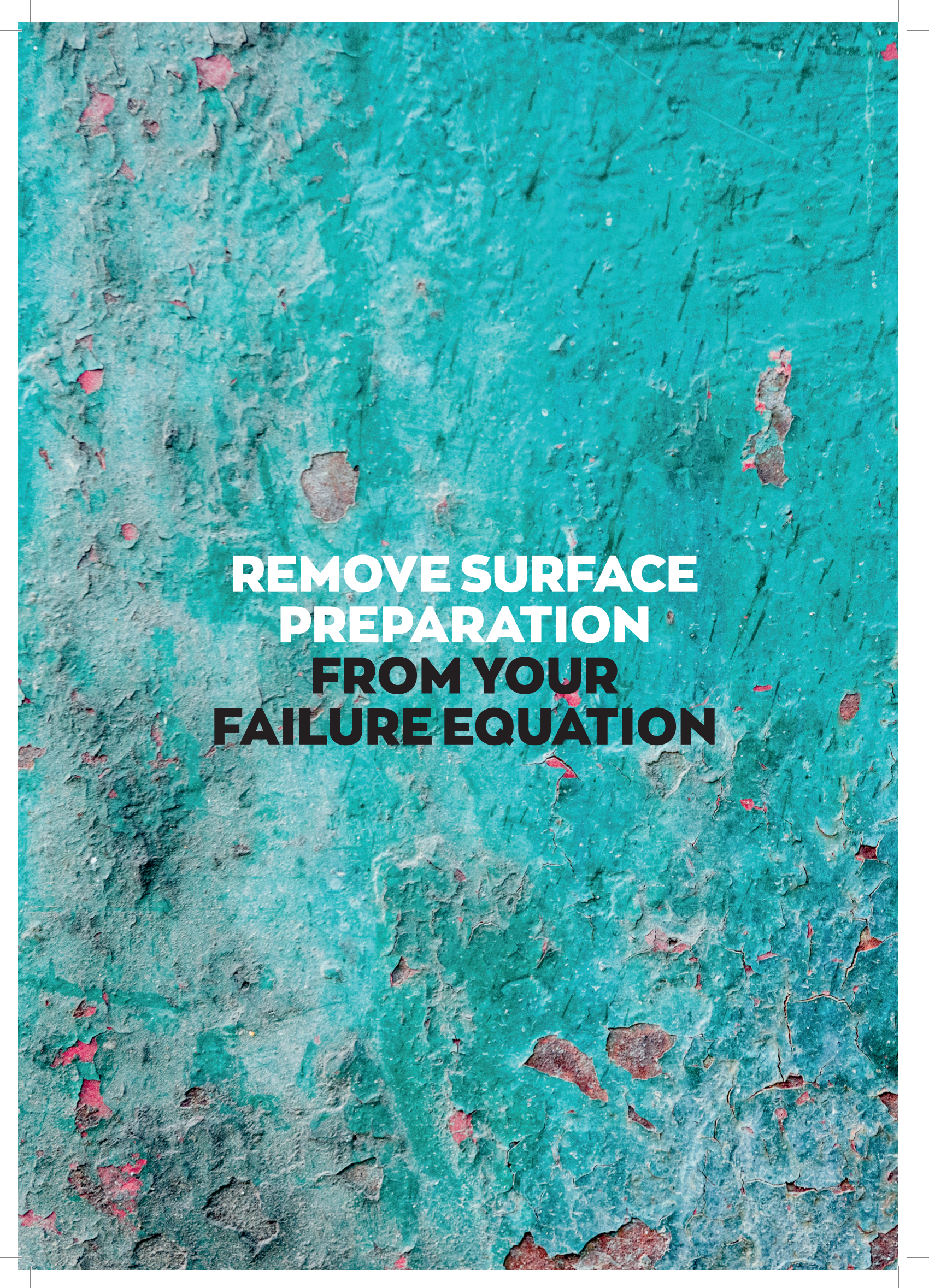


# MONTI CLEANTECH PREPPER

new order of surface preparation

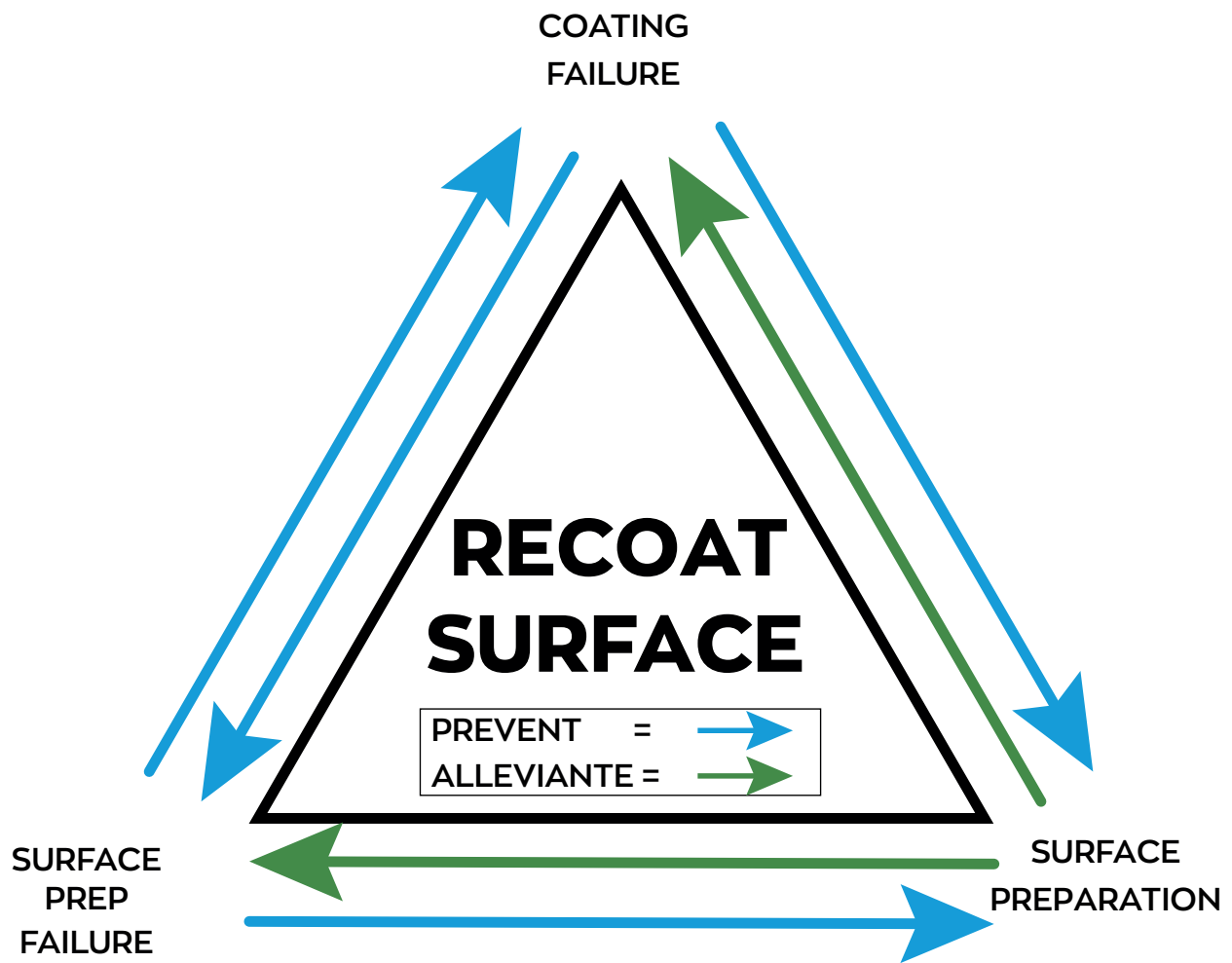


**THE MOST ADVANCED  
SURFACE PREPARATION  
TECHNOLOGY EVER**



**REMOVE SURFACE  
PREPARATION  
FROM YOUR  
FAILURE EQUATION**

# THE NUMBER 1 CAUSE OF COATING FAILURE IS IMPROPER SURFACE PREPARATION



CLEANTECH PREPPER  
PREVENTS AND ELIMINATES  
THE OPPORTUNITY FOR COATING FAILURE



# PREPARATION FROM SCRATCH



MontiPower - Part of Monti Group | Monti - Werkzeuge GmbH  
Reisertstr. 21 | 53773 Hennef | Germany  
T +49 (0) 2242 9090 630 | [www.montipower.com](http://www.montipower.com)